

SLED 18

Description: **LED MR 16 - 3W-12V**

Feature:

1. Adopt 1Pcs 3W High Power LED as light Source.
2. Die-casting aluminum.
3. Good heat conduction, surface- nickelized treatment.
4. Directly replace 30W traditional halogen lamp.
5. No UV, No IR Radiation, No mercury of other White.
6. Low voltage running.
7. Long lifespan up to 50,000 hours.
8. 38° beam angle.
9. Indoor use only
10. IP grade: IP54



Electrical Specifications:

Lighting Source: SensLights High Power LED

LED Quantity: 1Pcs 3W LEDs

Operation Voltage: 12VAC/DC

Operation Current: 270 mA ± 10%

Power Consumption: 3.2W ± 5%

Operation Temperature: -20°C ~ 50°C

Optical Specifications:

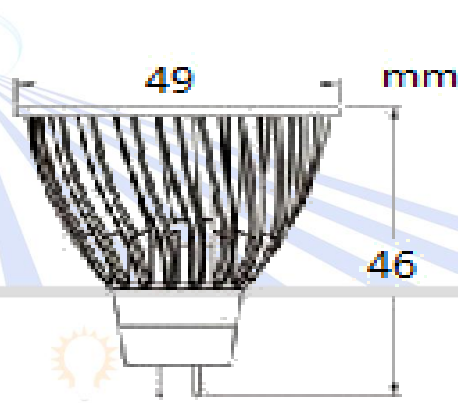
Color: Day White, Warm White

Lumens: 143lm ± 10%

Beam Angle: 38°

Color Temperature: 5500K ~ 6500K, 2700K ~ 3400K

Others: Other single color is available



Notice:

- 1 Make sure the power supplier is adapted to the right voltage before use;
- 2 Please insure that the switch is off before connect the power supplier;
- 3 Please don't touch the metal body and watch light source directly;
- 4 Indoor use only

Application:

Apply to home, shopping malls, office lighting, as well as festive living, parks, the arena, and so on, can be universally used for various pendant lights and canister lamp case.

Remarks and cautions:

Switch off the electricity before replacing the lamp, Keep away from direct sunshine and high temperature, The product is Non-waterproof, Indoor use only